

RITTER

MASCHINEN

PRODUCT AND PRICE LIST | 2023





99 YEARS RITTER TRADITION AND INNOVATION

PROGRESS BY TRADITION SINCE 1924



HISTORY | In 1924, the mechanical foreman Albert Ritter founded a mechanical workshop in the Black Forest region in Germany. He focused on the production and the repair of industrial and agricultural machines. With the mechanization of the agricultural sector, RITTER started soon after the company's foundation with the production of hydro power plants, turbines, fruit presses, fruit mills, circular saws, cable winches and cableways used for transporting materials: product groups which still appear in the actual program of delivery.

We have been manufacturing innovative products for agriculture and logging on our factory site of more than 14,000m² with 90 employees for more than 90 years. RITTER has established itself as brand name for high-quality, sophisticated and practically oriented products for the forestry industry. Continuous optimization and innovative developments are the guidelines for offering needs-oriented products. RITTER products are available for various applications and every type of tractor. Modern and high-quality manufacturing technologies guarantee the production of optimum systems for all requirements.

ADVICE AND CUSTOMER SERVICE | Thanks to our employees with expert knowledge in different areas, we guarantee that we offer individual advice for every customer as well as a solution package tailored to the customer's needs.

RITTER offers an effective spare parts storeroom - not only for the self-manufactured products. Spare parts from other well-known manufacturers in agriculture and logging technology are always in stock and available on short call. We have high standards at the implementation of all RITTER products.



DEVELOPMENT AND PRODUCTION

COMPETENCE IN WINCH TECHNOLOGY

EVERYTHING FROM A SINGLE SOURCE | The constant dialogue between customer and manufacturer has always been a central aspect at RITTER, resulting in practically-oriented and consumer-friendly products. From cable winches, forestry safety equipment, turning seats with reverse drive, short distance cable cranes right up to the production of the logging cranes with skidding grapple, all RITTER products are manufactured in own production. RITTER has high standards at the implementation of the products. Trouble-free and maintenance-friendly use is achieved by well thought-out solutions. Not least, the high level of practical utility of our products is attained as a result of the long service life which is due to the solid methods of construction and the high quality of all applied materials.

VERTICAL RANGE OF MANUFACTURE | Our extensive vertical range of manufacture allows us to provide tailor-made professional solutions at any time. Special cable capacities or traction capabilities are available in the shortest time. The use of high-strength, grain-refined steel offers advantages such as compact construction, low weight and long-service life. With our well thought-out modular design it is possible to combine a wide variety of winches or crane versions.

On publication of the present list, all previous price lists are cancelled. Prices to be understood exclusive of VAT at the applicable rate. Delivery always in **ex works basis**.

The guarantee period for RITTER products is **12 months** or **1.000 operating hours**. Wearing parts such as clutches, brakes, cables and similar parts are excluded.

To order spare parts or apply for guarantee, please always state **winch type and its number**, without which processing will not be possible.

Decisive for delivery are our Standard Terms and Conditions of Sale.

© Copyright RITTER Maschinen GmbH – as of March 2023 – Illustrations and technical data are not binding. We reserve the right for modifications on grounds of technical improvement or sales policy without prior notice. Contents reflect our state of engineering at the time of printing.

CONTENTS

■ MOUNTED WINCHES THREE-POINT MOUNTING	
BENEFITS D 40 / D 50 / D 60 / D 71	6
D 40 / D 50 / D 60 / D 71	8
D 60 HYDRO / D 71 HYDRO	10
BENEFIT WINCH AND CONSTANT TRACTION	12
S 27-E / S 80-E / S 100-E	14
S 50-EK / S 60-EK / S 70-EK	16
SD 50-EK / SD 60-EK / SD 70-EK / SD 100-E	18
S 27-D / S 80-D / S 66-3 P	20
S 50-DK / S 60-DK / S 70-DK	22
SD 50-DK / SD 60-DK / SD 70-DK	24
■ FORESTRY TECHNOLOGY ACCESSORIES	26
■ RADIO CONTROL UNITS	27
■ FRONT-LOADER GRAPPLES	28
■ BUILT-IN WINCHES SINGLE DRUM	
S 45K / S 7K/8 / S 7K/10	30
■ BUILT-IN WINCHES DOUBLE DRUM	
S 66-D/6 / S 66-D/8 / S 66-D/10	32
S 130-D / S 160-D	34
■ LOGGING CRANES WITH THREE-POINT MOUNTING	
DK 4.5 LOGGING CRANE WITH THREE-POINT MOUNTING	36
■ CABLE CRANES	
KSK 3 SHORT-DISTANCE CABLE CRANE	38
■ SKIDDER OVERVIEW	42

NEW:

THE EXTENSIVE RITTER
SKIDDER PROGRAM
YOU CAN FIND IN A
ADDITIONAL BROCHURE !!!



MOUNTED WINCHES

BENEFITS D 40 / D 50 / D 60 / D 71



THE RIGHT WINCH FOR EACH VEHICLE | Due to our modular construction, you will receive the optimum winch for your vehicle. The use of high-strength grain-refined steel offers advantages such as compact construction, low own weight and durability. The extremely rugged skidding blades are available in a variety of widths. Particularly environmentally friendly is the possibility to use biodegradable oil. Upon request, our winches are also available with hydraulic drive.

SAFETY FEATURES | The overlapping clutch and brake provide precise winch control. The cable is always held under tension (desirable when feeling problem trees). The brake only releases once the clutch is fully force-locked. The reduction of the weight or the trailing of the winch can be avoided. Permanently lubricated, ball-bearing mounted drums allow the cable to be drawn out easily at any time.

Drive through duplex chain with chain adjuster



Own supply through mechanical hydraulic pump



Band brake



Multi-plate Clutch



Cable ejector



Control panel for emergency operation mode



Cable ejector with two integrated pressure rollers



Tool box with cover (Standard)

BENEFITS D 40 / D 50 / D 60 / D 71

- Power by Duplex direct drive
- Quiet operation up to 1000/min possible
- Optimum mounting by the transversely integrated drum position
- Easy maintenance
- Hydraulic own power supply
- No additional hydraulic oil from the vehicle for winch control required
- Choker chain holder and coupler head are standard
- Storage box with cover is standard

MOUNTED WINCHES

SINGLE DRUM THREE-POINT MOUNTING

8 **THREE YEAR RITTER WARRANTY!**



Standard with
FST 510 patrol T
(see page 27)

THE INEXPENSIVE ENTRY-LEVEL SERIES IN PROFESSIONAL QUALITY | Power for both winches is provided by a Duplex direct drive. Optimum mounting for these winches is provided by the transversely integrated drum position. All winches are equipped with their own power supply. Hydraulic oil from the vehicle is not required for winch control. All RITTER mounted winches come with choker chain holder and coupler head.

D 40 / D 50 / D 60 / D71

TECHNICAL DATA AND PRICES



TYPE	D 40	D 50	D 60	D 71
Max. tractive force (kN/t)	40/4	50/5	60/6	70/7
Max. cable capacity (Length/Ø, m/mm)	120/9	100/10	90/11 100/10	80/12 90/11
Weight without cable (kg)	390	410	430	450
For vehicles from...to... (kW/PS)	22/30 – 44/60	26/35 – 51/70	37/50 – 59/80	44/60 – 59/80
Width of standard skidding blade (m)	1,4	1,6	1,6	1,6
Drive	Duplex direct drive	Duplex direct drive	Duplex direct drive	Duplex direct drive
Including guard screen and trailer coupling	9.600.–	10.500.–	10.900.–	11.300.–

- Own electrohydraulic power supply including radio control unit
- Including storage box with cover

ACCESSORIES		D 40	D 50	D 60	D 71
Skidding Blade 1,6 m		560.–	Standard	Standard	Standard
Skidding Blade 1,8 m		730.–	560.–	560.–	560.–
Skidding Blade 2,0 m		–	730.–	730.–	730.–
Cable ejector / Cable feed brake		2.300.–	2.300.–	2.300.–	2.300.–
Cardan shaft 610 mm		120.–	120.–	120.–	120.–
Cardan shaft Walterscheid / 710 mm		180.–	180.–	180.–	180.–
Steel cable incl. Sliding hook (Length/Ø, m/mm)		100/09 475.–	80/10 463.–	80/10 463.–	70/11 475.–
Heavy-duty logging type, compacted, with loop					
Manual control box		200.–	200.–	200.–	200.–
HBC - Radio control unit FST 510 patrol T		Standard	Standard	Standard	Standard

The trailer coupling for mounted cable winches is not allowed in accordance with StVZO (German traffic regulations). All prices given in EURO, exclusive of VAT. Pricing basis Zell a.H.

CRAWLER WINCHES MECHANICAL OR HYDRAULIC DRIVE

FLEXIBLE EVEN IN AREAS THAT ARE DIFFICULT TO ACCESS | With the RITTER D40 Crawler winch, attached at the standardized three point category 1 of the vehicle, the forest crawler is a flexible support for the motor-manual wood harvesting. Pulling wood, moving hanging trees or pre-delivering narrow areas that are difficult to access – no problem for the RITTER forest crawler. Whether mechanically or hydraulically driven depends on the tracked vehicle.

10 **THREE YEAR RITTER WARRANTY!**



RITTER D 40 WINCH CRAWLER TECHNICAL DATA AND PRICES

TYPE	D 40
Mounted Winch	Single drum three-point mounting
Tractive force (kN/t)	40/4
Special skidding blade with short angle for better stability, incl. multifunction bar for trailer coupling or lower feeding roller (m)	1,50
Control (prepared at winch)	Radio at vehicle
Drive	Duplex direct drive
Max. cable capacity (Length Ø, m/mm)	120/9
Required minimum break force (kN)	80
Safety operation	hydraulic
Electro-hydraulic control	12 VDC
Control panel	threefold, cable 5m
Painting winch	RAL 7016 anthracite grey
Three-point attachment	Cat. 1
Painting skidding blade	RAL 2000 yellow-orange
Base price winch	8.900.–

All prices given in EURO, exclusive of VAT.

ACCESSORIES	D 40
Constant tractive force (kN/t)	1.500.–
Cable ejector / Cable feed brake	2.300.–
Reduction gear	820.–
Cardan shaft Walterscheid / 710 mm	180.–
Hydraulic Drive	1.580.–
Steel cable incl. Sliding hook (Length/Ø, m/mm) Heavy-duty logging type, compacted, with loop	100/9 475.–
Lower feeding roller	520.–
Trailer coupling, pluggable	170.–

All prices given in EURO, exclusive of VAT.



FOREST WINCHES HYDRAULIC DRIVE

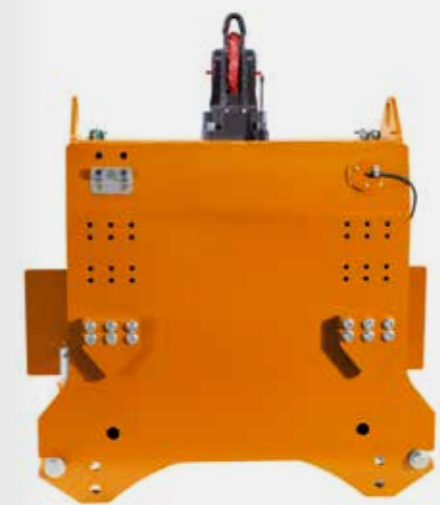
RELIABLE IN CONTINUOUS OPERATION AND PERFECTLY COMBINABLE | The Ritter D60/D71 Hydro is combinable with all types of forestry machinery and municipal vehicles thanks to the fully hydraulic application. The low-maintenance and low-wear drive concept with electro-hydraulic control ensures continuous operation and a precise control of the winch. On the vehicle, a simple control device with return and a power supply with 12 or 24 volts is sufficient.

D 60 HYDRO / D 71 HYDRO TECHNICAL DATA AND PRICES



TYPE	D 60 HYDRO	D 71 HYDRO
Max. tractive force (kN/t)	60/6	70/7
Max. cable capacity (Length/Ø, m/mm)	100/10	90/11
Recommended length/Ø, m/mm	80/10	70/11
Weight without cable (kg)	420	420
Attachment to panel (size)	Gr. 3/5	Gr. 3/5
Hydraulic motor drive	Standard	Standard
Control block 24 VDC or 12 VDC	Standard	Standard
Attachment to single-acting valve	Standard	Standard
Foldable safety guard	Standard	Standard
Base price	14.100.–	15.300.–

- Hydraulic electrical own supply



ACCESSORIES	D 60 HYDRO	D 71HYDRO
Cable ejector /Cable feed brake	2.300.–	2.300.–
70m synthetic rope 12mm/70m	672.–	672.–
Steel cable incl. Sliding hook (Length/Ø, m/mm) Heavy-duty logging type, compacted, with loop	80/10 463.–	70/11 475.–
Ropefix and parallel hook 8t	75.–	75.–
Control panel for emergency operation mode	200.–	200.–
HBC - Radio control unit FST 510 patrol T (see page 27)	1.360.–	1.360.–
Spot colour (in RAL definition)	400.–	400.–
Stepless adjustment of rope speed incl. HBC Radio Control unit 511 patrol	1700.–	1.700.–

All prices given in EURO, exclusive of VAT. Pricing basis Zell a.H.

MOUNTED WINCHES

BENEFITS WINCH AND CONSTANT TRACTION

12



Worm gear



Multi-plate clutch



Cable injector combined with cable feed brake



Low centre of gravity of the winch



PTO shaft DUO for front and rear attachment



Cable ejector with two integrated pressure rollers



Tool boxes (standard)



13

BENEFITS WINCH

- Low centre of gravity of the winch
- Own power supply is standard
- Precise control of the winch through optimum overlapping of clutch and brake
- Standard pressure roller ensures optimum cable development
- Low maintenance and wear (completely runs in an oil bath)
- Sensitive proportional braking (proportional brake is no standard) thanks to organic brake linings
- Optimum behaviour of brake and clutch thanks to organic linings
- Compact and modular design allows to retrofit the winches with accessories at any time
- Storage boxes are standard

BENEFITS CONSTANT TRACTION

- Maximum tractive force from the lowest to the highest position of cable
- Maximum safety – constant cable forces reduce the risk of cable rupture
- The S 70-K winch corresponds on the highest cable position to a 100 kN/10 t winch. Instead, the prescribed diameter for cable of 15 mm for a 100 kN/10t, the S 70-K winch can be operated with a 12 mm cable (Minimum breaking force ≥ 140 kN).
- Thanks to the constant tractive force, the power of the winch is optimally adjusted to the tear resistance of the cable used and the logs are pulled at maximum cable force up to the tractor.
- No loss of tractive force in the upper positions of cable.

MOUNTED WINCHES

SINGLE DRUM THREE-POINT MOUNTING

14 **THREE YEAR RITTER WARRANTY!**



S 27-E

S 80-E

View:
Cable ejector

* Pictures include optional accessories

S 27-E / S 80-E / S 100-E – THE POWERFUL WINCHES FOR PROFESSIONAL APPLICATION | The winches driven by a worm gear have a very low and therefore a perfect centre of gravity. Therefore, the weight is perfectly distributed. Because of the relatively large distance between feed roller and cable drum, there is no cable winder required on models D 50, D 60, S 27, S 80 and S 100.

15

S 27-E / S 80-E / S 100-E TECHNICAL DATA AND PRICES



S 27-E



S 80-E

TYPE	S 27-E	S 80-E	S 100-E
Max. tractive force (kN/t)	70/7	80/8	100/10
Max. cable capacity (Length/Ø, m/mm)	90/12 110/11 120/10	100/13 120/12 130/11	80/14 100/13
Weight without cable (kg)	520	670	690
For vehicles from...to... (kW/HP)	44/60 – 74/100	51/70 – 88/120	74/100 – 103/140
Width of standard skidding blade (m)	1,8	1,8	2,0
Drive	Worm gear	Worm gear	Worm gear
Including safety guard	17.300.–	20.600.–	21.600.–

- Own electrohydraulic power supply
- Including Tool box with cover

ACCESSORIES	S 27-E	S 80-E	S 100-E
Skidding blade 2,0 m	600.–	600.–	Standard
Skidding blade 2,2 m	860.–	860.–	600.–
Folding blade 2,0 m/2,2 m (by the tractor's hydraulic system)	–	4.300.–	4.300.–
PTO shaft DUO for front and rear attachment	–	1.700.–	1.700.–
Plug-In trailer coupling	600.–	600.–	600.–
Additional price for ball head coupling	80.–	80.–	80.–
Proportional load lowering brake (radio) (per drum)	540.–	540.–	540.–
Traction adjustment	650.–	650.–	650.–
Cable ejector / Cable feed brake	2.900.–	2.900.–	2.900.–
Cardan shaft Walterscheid	180.–	180.–	180.–
Steel cable incl. Sliding hook (Length/Ø, m/mm), Heavy-duty logging type, compacted, with loop	80/11 540.–	90/12 677.–	70/13 594.–
Manual control box	200.–	200.–	200.–
Radio control unit	see page 27	see page 27	see page 27

The trailer coupling for mounted cable winches is not allowed in accordance with StVZO (German traffic regulations). Control panel or radio control are required for operational capability of the winch. All prices given in EURO, exclusive of VAT. Pricing basis Zell a.H.

MOUNTED WINCHES

SINGLE DRUM THREE-POINT MOUNTING

16 **THREE YEAR RITTER WARRANTY!**



THE ORIGINAL:
**CONSTANT
TRACTION**
by RITTER

* Pictures include optional accessories

S 50-EK / S 60-EK / S 70-EK – OPTIMUM TRACTION IN EVERY POSITION | Regardless of the cable position – with S 50 / S 60 / S 70 winches the optimum pulling power is guaranteed. By continuously checking the actual cable position, the winch adjusts automatically to provide maximum traction at any level.



Skidding blade (standard)



Additional price for ball head



Mounting for trailer coupling

S 50-EK / S 60-EK / S 70-EK TECHNICAL DATA AND PRICES

TYPE	S 50-EK	S 60-EK	S 70-EK
Constant tractive force (kN/~t)	50/5	60/6	70/7
Recommended cable capacity max. (Length/Ø, m/mm)	130/10	110/11 130/10	100/12 110/11
For vehicles from...to... (kW/HP)	51/70 - 74/100	59/80 - 88/120	74/100 - 103/140
Width of standard skidding blade (m)	1,8	1,8	2,0
Weight (kg)	approx. 670	approx. 670	approx. 690
Drive	Worm gear	Worm gear	Worm gear
Including guard screen	22.100.–	22.700.–	24.100.–

- Own electrohydraulic power supply
- Including Tool box with cover

ACCESSORIES	S 50-EK	S 60-EK	S 70-EK
Skidding blade 2,0 m	600.–	600.–	Standard
Skidding blade 2,2 m	860.–	860.–	600.–
Folding blade 2,0 m/2,2 m (by the tractor's hydraulic system)	4.300.–	4.300.–	4.300.–
PTO shaft DUO for front and rear attachment	1.700.–	1.700.–	1.700.–
Plug-In Trailer Coupling	600.–	600.–	600.–
Additional price for ball head coupling	80.–	80.–	80.–
Proportional load lowering brake	540.–	540.–	540.–
Cable ejector / Cable feed brake	2.900.–	2.900.–	2.900.–
Steel cable incl. Sliding hook (Length/Ø, m/mm)	100/10 575.–	100/10 575.–	90/11 605.–
Cardan shaft Walterscheid	180.–	180.–	180.–
Manual control box	200.–	200.–	200.–
Radio control unit	see page 27	see page 27	see page 27

The trailer coupling for mounted cable winches is not allowed in accordance with StVZO (German traffic regulations). Control panel or radio control are required for operational capability of the winch. All prices given in EURO, exclusive of VAT. Pricing basis Zell a.H.



MOUNTED WINCHES

SINGLE DRUM THREE-POINT MOUNTING

18 **THREE YEAR RITTER WARRANTY!**



THE ORIGINAL:
CONSTANT TRACTION
by RITTER

BENEFITS SD WINCHES

- High cable capacity
- Optimum cable winder through mechanical cable allocation
- Centre mounted PTO drive
- Optimum overlap of coupling and brake
- Constant tractive force (except SD 100-E)
- Double role with lateral guide rollers
- Strong cable ejector with two hydraulic engines
- Extensive accessories

19 **SD 50-EK / SD 60-EK / SD 70-EK / SD 100-E**
TECHNICAL DATA AND PRICES

TYPE	SD 50-EK	SD 60-EK	SD 70-EK	SD 100-E
Constant tractive force (kN/t)	constant 50/5	constant 60/6	constant 70/7	100/10
Max. cable capacity (Length/Ø, m/mm)	220/10	180/11 220/10	150/12 180/11	110/14 120/13
Weight without cable (kg)	680	680	700	700
For vehicles from...to... (kW/HP)	51/70–74/100	59/80–88/120	74/100–103/140	74/100–103/140
Width of standard skidding blade (m)	1,8	1,8	2,0	2,0
Drive	Worm gear	Worm gear	Worm gear	Worm gear
Including guard screen and trailer coupling	29.600.–	30.000.–	31.200.–	28.800.–

- Own electrohydraulic power supply
- Including Tool box with cover

ACCESSORIES	SD 50-EK	SD 60-EK	SD 70-EK	SD 100-E
Skidding blade 2,0 m	600.–	600.–	Standard	Standard
Skidding blade 2,2 m	860.–	860.–	600.–	600.–
Folding blade 2,0 m/2,2 m (by the tractor's hydraulic system)	4.300.–	4.300.–	4.300.–	4.300.–
PTO shaft DUO for front and rear attachment	1.700.–	1.700.–	1.700.–	1.700.–
Plug-In trailer coupling	Standard	Standard	Standard	Standard
Additional price for ball head coupling	80.–	80.–	80.–	80.–
Proportional load lowering brake (radio) per drum	540.–	540.–	540.–	540.–
Cable ejector / Cable feed brake	Standard	Standard	Standard	Standard
Steel cable incl. Sliding hook (Length/Ø, m/mm)	110/10 631.–	110/10 631.–	100/11 670.–	100/13 840.–
Cardan shaft Walterscheid	180.–	180.–	180.–	180.–
Manual control box	200.–	200.–	200.–	200.–
Radio control unit	see page 27	see page 27	see page 27	see page 27

The trailer coupling for mounted cable winches is not allowed in accordance with StVZO (German traffic regulations). Control panel or radio control are required for operational capability of the winch. All prices given in EURO, exclusive of VAT. Pricing basis Zell a.H.

MOUNTED WINCHES

DOUBLE DRUM THREE-POINT MOUNTING

20 **THREE YEAR RITTER WARRANTY!**



View:
Cable ejector

* Pictures include optional accessories

S 27-D / S 80-D / S 66-3 P – PROFESSIONAL WINCHES WITH LOW CENTRE OF GRAVITY | With a tractive force up to 2 x 100 kN / 10 t a low centre of gravity is more significant. It is worth highlighting the central position of the PTO drive of these winches. The worm gear provides constant and powerful traction of the winch. S66-3 P without illustration. Upon request, the double drum winches can be delivered without choker chain holder. The skidding blade then features a nearly flat surface. As with all RITTER winches, the optional plug-in trailer coupling may be used on public roads under certain circumstances. All RITTER S 27 / S 80 winches can be equipped or retrofitted with the combined cable ejector and feed brake.

S 27-D / S 80-D / S 66-3 P

TECHNICAL DATA AND PRICES

TYPE	S 27-D	S 80-D	S 66-3 P
Tractive force (kN/t)	2x 70/7	2x 80/8	2x 100/10
Max. cable capacity (Length/Ø, m/mm)	2x 90/12 2x 110/11 2x 120/10	2x 100/13 2x 120/12 2x 140/11	2x 90/14 2x 110/13
Weight without cable (kg)	750	920	1.100
For vehicles from...to... (kW/HP)	51/70 – 74/100	51/70 – 88/120	74/100 – 118/160
Width of standard skidding blade (m)	1,8	1,8	2,0
Drive	Worm gear	Worm gear	Worm gear
Including guard screen	26.800.–	30.000.–	36.800.–

- Own electrohydraulic power supply
- Including Tool box with cover

ACCESSORIES	S 27-D	S 80-D	S 66-3 P
Skidding blade 2,0 m	670.–	670.–	Standard
Skidding blade 2,2 m	960.–	960.–	620.–
Folding blade 2,0 m / 2,2 m (by the tractor's hydraulic system)	–	4.600.–	4.600.–
PTO shaft DUO for front and rear attachment	–	1.700.–	–
Plug-in trailer coupling	310.–	310.–	310.–
Additional price for ball head coupling	80.–	80.–	80.–
Proportional load lowering brake (radio) (per drum)	540.–	540.–	540.–
Traction adjustment (per drum)	650.–	650.–	650.–
Cable ejector / Cable feed brake (both sides)	4.100.–	4.100.–	upon request
Cardan shaft Walterscheid	180.–	250.–	250.–
Steel cable incl. Sliding hook (Length/Ø, m/mm)	2 x 80/11 1.080.–	2 x 90/12 1.354.–	2 x 80/13 1.352.–
Heavy-duty logging type, compacted, with loop			
Manual control box	260.–	260.–	260.–
Radio control unit	see page 27	see page 27	see page 27

The trailer coupling for mounted cable winches is not allowed in accordance with StVZO (German traffic regulations). Control panel or radio control are required for operational capability of the winch. All prices given in EURO, exclusive of VAT. Pricing basis Zell a.H.



S 27-D



S 80-D

MOUNTED WINCHES

DOUBLE DRUM THREE-POINT MOUNTING

22 THREE YEAR RITTER WARRANTY!

THE ORIGINAL:
CONSTANT TRACTION
by RITTER



* Pictures include optional accessories

S 50-DK / S 60-DK / S 70-DK – OPTIMUM TRACTION IN EVERY POSITION | Regardless of the position in which you find yourself, the S 50 / S 60 / S 70 winches always provide optimum traction. By continuously checking the actual cable position, the winch automatically adjusts to provide maximum traction at any level.

S 50-DK / S 60-DK / S 70-DK TECHNICAL DATA AND PRICES

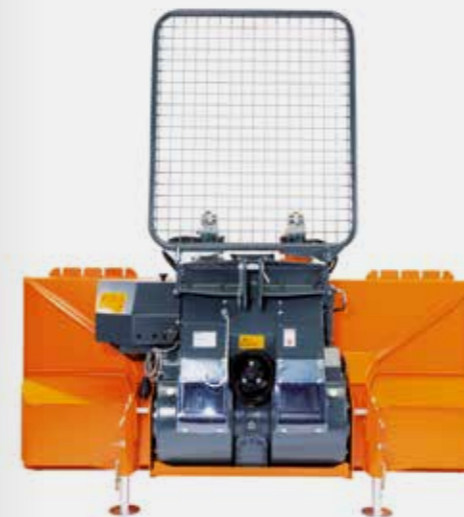
TYPE	S 50-DK	S 60-DK	S 70-DK
Constant tractive force (kN/~t)*	2x 50/5	2x 60/6	2x 70/7
Recommended cable capacity (Length/Ø, m/mm)	2x 130/10	2x 110/11 2x 130/10	2x 100/12 2x 110/11
For vehicles from...to... (kW/HP)	59/80 - 88/120	74/100 - 118/160	74/100 - 118/160
Width of standard skidding blade (m)	1,8	1,8	2,0
Weight (kg)	approx. 900	approx. 900	approx. 920
Drive	Worm gear	Worm gear	Worm gear
Including guard screen	30.200.-	31.300.-	32.000.-

- Own electrohydraulic power supply
- Including Tool box with cover

* During simultaneous operation of both winches, the traction force is not maintained constant for safety reasons!

ACCESSORIES	S 50-DK	S 60-DK	S 70-DK
Skidding blade 2,0 m	670.-	670.-	Standard
Skidding blade 2,2 m	960.-	960.-	670.-
Folding blade 2,0 m/2,2 m (by the tractor's hydraulic system)	4.600.-	4.600.-	4.600.-
PTO shaft DUO for front and rear attachment	1.700.-	1.700.-	1.700.-
Plug-In trailer coupling	310.-	310.-	310.-
Additional price for ball head coupling	80.-	80.-	80.-
Proportional load lowering brake (per drum)	540.-	540.-	540.-
Cable ejector / Cable feed brake (both sides)	4.100.-	4.100.-	4.100.-
Steel cable incl. Sliding hook (Length/Ø, m/mm)	2 x 120/10 1.374.-	2x 100/10 1.150.-	2x 90/11 1.210.-
Cardan Shaft Walterscheid	180.-	180.-	280.-
Manual control box	260.-	260.-	260.-
Radio control unit	see page 27	see page 27	see page 27

The trailer coupling for mounted cable winches is not allowed in accordance with StVZO (German traffic regulations). Control panel or radio control are required for operational capability of the winch. All prices given in EURO, exclusive of VAT. Pricing basis Zell a.H.



MOUNTED WINCHES

DOUBLE DRUM THREE-POINT MOUNTING

24 **THREE YEAR RITTER WARRANTY!**

THE ORIGINAL:
CONSTANT TRACTION
by RITTER

SD 70-DK



* Pictures include optional accessories



High cable capacity



Double role with lateral guide roller

BENEFITS SD WINCHES

- High cable capacity
- Optimum cable winder through mechanical cable allocation
- Centre mounted PTO drive
- Optimum overlap of coupling and brake
- Constant tractive force
- Double role with lateral guide roller
- Strong cable ejector with two hydraulic engines
- Extensive accessories

SD 50-DK / SD 60-DK / SD 70-DK

TECHNICAL DATA AND PRICES



TYPE	SD 50-DK	SD 60-DK	SD 70-DK
Constant tractive force (kN/t)	50/5	60/6	70/7
Max. cable capacity (Length/Ø, m/mm)	2x 220/10	2x 180/11 2x 220/10	2x 150/12 2x 180/11
Weight without cable (kg)	910	910	930
For vehicles from...to... (kW/HP)	51/70 – 74/100	59/80 – 88/120	74/100 – 103/140
Width of standard skidding blade (m)	1,8	1,8	2,0
Drive	Worm gear	Worm gear	Worm gear
Including guard screen and trailer coupling	42.000.–	42.700.–	43.600.–

- Own electrohydraulic power supply
- Including Tool box with cover

* During simultaneous operation of both winches, the traction force is not maintained constant for safety reasons!

ACCESSORIES	SD 50-DK	SD 60-DK	SD 70-DK
Skidding blade 2,0 m	670.–	670.–	Standard
Skidding blade 2,2 m	960.–	960.–	670.–
Folding blade 2,0 m/2,2 m (by the tractor's hydraulic system)	4.600.–	4.600.–	4.600.–
PTO shaft DUO for front and rear attachment	1.700.–	1.700.–	1.700.–
Oil cooler for high speed (in the use of small-dimensioned wood)	1.500.–	1.500.–	1.500.–
Plug-In trailer coupling	Standard	Standard	Standard
Additional price for ball head coupling	80.–	80.–	80.–
Proportional load lowering brake (radio) per drum	540.–	540.–	540.–
Cable ejector / Cable feed brake	Standard	Standard	Standard
Steel cable incl. Sliding hook (Length/Ø, m/mm)	2x 110/10	2x 110/10	2x 100/11
Heavy-duty logging type, compacted, with loop	1.262.–	1.262.–	1.340.–
Cardan shaft Walterscheid	180.–	180.–	250.–
Manual control box	260.–	260.–	260.–
Radio control unit	see page 27	see page 27	see page 27

The trailer coupling for mounted cable winches is not allowed in accordance with StVZO (German traffic regulations). Control panel or radio control are required for operational capability of the winch. All prices given in EURO, exclusive of VAT. Pricing basis Zell a.H.



Radio control unit 510



510 patrol T



Radio control unit 511 (expandable)



511 patrol TE



511 patrol LE

BENEFITS WOODYFIX

- Woodyfix fits all winches, ship's side, machines, front loader, service vehicles and in the workshop.
- Woodyfix and the fixture for hookaroon can be attached in any position, all parts are fixed securely, even the saw can be attached horizontally and can be fixed additionally with rubber straps.
- Absolutely weather-resistant, special PE plastic (temperature- and oil-resistant), all parts made from stainless steel, aluminum or galvanized (screws).
- Resistance of the PE plastic (-40 until +70 degree Celsius).
- Compatible with almost all saws available on the market (protection length until 450mm).
- Insertion is durable and protects the chain through special aluminium sleeves.
- Open construction allows easy cleaning, also with compressed air or high-pressure cleaner.



WF 1.0



WF 2.0 with fixture for hookaroon



WF 2.0 with fixture for hookaroon and canister



WF Longblade

ACCESSORIES

SPECIAL WIRE CABLES | Heavy-duty logging cable, compacted with high breaking load. Highly flexible and economic thanks to special construction. Delivered with loop.

SPECIAL WIRE CABLES

Ø (mm)	9	10	11	12	13	14
Minimum breaking force (kN)	86	104	123	144	165	187
Price per meter	4,60	4,90	5,20	5,60	6,10	7,30

HIGH PERFORMANCE WIRE CABLES

Ø (mm)	10	11	12	13	14
Minimum breaking force (kN)	120	142	166	202	241
Price per meter	5,60	6,50	7,30	8,20	9,10



SLIDING HOOK

Size of hook	1/2 "	5/8 "
Price	15,00	20,00

DYNEEMA SYNTHETIC WINCH CABLES

- Little Effort
- Good coil performance
- Easy application
- Weather-resistant
- High abrasion resistance
- High breaking resistance with low weight

SYNTHETIC WINCH CABLES

Ø (mm)	10	12	14	16
Minimum breaking force (kN)	105	145	175	220
Price per meter	5,80	7,00	9,50	13,00

ROPE FIX INCL. HOOK

		PRICE
5t	for cable Ø 10mm	60.-
10t	for cable Ø 12-16mm	75.-

FIXTURE FOR POWER SAWS WOODYFIX

		PRICE
WF 1.0	Fixture for power saws single	75.-
WF 2.0	Fixture for power saws and hookaroon *	130.-
WF 3.0	Fixture for power saws, hookaroon and canister *	215.-
WF „Longblade“	Extension 15cm, combinable with all models of Woodyfix	75.-
WF Kit	Straps for mounting at safety guard	25.-

All prices given in EURO, exclusive of VAT.
* Including WF Kit

HBC-RADIO CONTROL UNITS

HBC RADIO CONTROL UNIT 510	TYPE	PRICE
Single drum winch	510 patrol T	1.360.-
Battery charger 230V	510 patrol T	150.-

HBC RADIO CONTROL UNIT 511	TYP	PRICE
Single drum winch	511 patrol TE	1.700.-
Double drum winch	511 patrol TD	1.980.-
Single drum winch (linear lever)	511 patrol LE	2.400.-
Double drum winch (linear lever)	511 patrol LD	2.650.-

Scope of delivery 510 and 511:

- Antenna FL 70
- Holder
- Battery charger (10-30V) with two rechargeable batteries

Connection possibilities:

- Forestry emergency call, motor-start and -stop
- Continuous regulation of motor speed

ACCESSORIES FOR HBC RADIO CONTROL UNIT 511		PRICE
511 + PG	Prop. gas internal	300.-
511 + PB	Prop. Brake (0-2.2 A)	150.-
511 LE + LD	Prop. Brake (0-2.2 A)	Standard
511 + FF	Radio at vehicle	upon request
511	Battery charger 230V	150.-

All prices given in EURO, exclusive of VAT.

FRONT-LOADER GRAPPLES

ROBUST AND COMPACT | RITTER's front-loader grapples are characterized by robust and compact design. Mounting is possible on front-loaders using the Euro holding fixture. Due to the standard reversing valve, only one control device is necessary to actuate the grapple.



Rotator mounting with pendular brake



Lateral stop fixed heel



Grapple pivoted



Top link three-point attachment



hydraulic hose fixture



Way valve (electrically switchable)



NEW
INTERNAL
HOSES

RG 45 front loader grapple fixed*

RGS 45 front loader grapple pivoted*

* Pictures include optional accessories

TECHNICAL DATA AND PRICES

TYPE	RG45/1100 RGS45/1100	RG45/1300, RGS45/1300	RG45/1500, RGS45/1500	RG45/1700, RGS45/1700	RG55/1480,* RGS55/1480	RG55/1570,* RGS55/1570
Total weight RG fixed (kg)	290	325	360	360	400	410
Total weight RG pivoted (kg)	330	365	400	400	440	450
For vehicles up to kW (HP)	52 (70)	66 (90)	88 (120)	88 (120)	88 (120)	88 (120)
Rotator 45 kN	x	x	x	x	–	–
Rotator 55 kN	–	–	–	–	x	x
Max. opening width of the grapple (mm)	1.100	1.300	1.500	1.700	1.480	1.570
Way valve (electrically switchable)	Standard	Standard	Standard	Standard	Standard	Standard
Total price RG fixed	4.700.–	5.000.–	5.300.–	6.300.–	7.300.–	7.500.–
Total price RG pivoted	5.800.–	6.100.–	6.400.–	7.400.–	8.400.–	8.600.–
Standard scope of delivery	Grapple with internal hoses and fixed heel, rotator mounting BR 40 with pendular brake, 2 connecting hoses with quick coupling, 1 electrical switching valve (RGS:2) / connecting cable with three-pole plug, hydraulic check valve on the grapple					

* With Epsilon professional pliers

ACCESSORIES

Price reduction 4 hoses	50.–
Three-point attachment screwable with supporting legs	400.–
Soil auger 250mm	770.–
Planting and cone auger	880.–

All prices given in EURO, exclusive of VAT.



Three-point attachment, screwable

BUILT-IN WINCHES SINGLE DRUM



S 7-K Front hydraulics



S 45-K Front mounting



S 7-K/8



S 7-K/8



S 7-K/10



S 45-K / S 7-K/8 / S 7-K/10 TECHNICAL DATA AND PRICES

TYPE	S 45-K	S 7-K/8	S 7-K/10
Max. tractive force (kN/t)	70/7	80/8	100/10
Max. cable capacity (Length/Ø, m/mm) Higher cable capacities possible	100/12 120/11	110/13 120/12	100/14 110/13
Weight without cable (kg)	260	335	335
For vehicles from...to... (kW/HP)	51/70 – 88/120	59/80 – 110/150	ab 66/90
Base price Console winch	15.400.–	17.600.–	18.300.–

The control unit for all built-in winches with cable remote control, own hydraulic power supply, direct drive through PTO and trailer coupling, radio control unit available as an accessory.

ACCESSORIES	S 45-K / S 7-K/8 / S 7-K/10
Complete chain drive	2.000.–
Pulley rocker / Feed pulley	2.300.–
Add-on console vehicle / Mounting costs	Price upon request
S 45-K Skidding blade (HDPL width 2,0m)	7.200.–
S 7-K Skidding blade (HDPS width 2,3m)	8.600.–
Protection for driving on public roads	270.–
Manual load lowering brake	500.–
Proportional load lowering brake (radio)	540.–
Traction adjustment	670.–
Cable feed brake	1.600.–
Quick-change feature including rapid-action hose couplings	Price upon request
Automatic trailer coupling (extra charge)	210.–

All prices given in EURO, exclusive of VAT. Pricing basis Zell a.H.

BUILT-IN WINCHES DOUBLE DRUM

FLEXIBLE IN USE | Due to the compact construction of our double drum winches, they can be used for a wide variety of applications. Whether front or rear mounting, the ball-bearing mounted drums allow easy cable draw at any time. If drive cannot be provided by the PTO, our winches can be driven hydraulically as well. As with all RITTER winches, the precise winch control (own supply) is provided by the overlapping of clutch and brake. The cable remains tensioned under load. The break only releases once the clutch is force-closed. This prevents any tension release or a trailing by the winch. Higher cable capacities are available upon request.

BENEFITS

- Sturdy full-steel construction
- Powerful at low maintenance
- Optimum tractive force
- High cable capacities
- Easy cable draw
- Integrated installation or compact quick-change mounting for all types of tractors possible
- Suitable for biological (synthetic) oil

S 66-D/6 / S 66-D/8 / S 66-D/10 TECHNICAL DATA AND PRICES

TYPE	S 66-D/6	S 66-D/8	S 66-D/10
Max. tractive force (kN/t)	2x 60/6	2x 80/8	2x 100/10
Max. cable capacity (Length/Ø, m/mm) Higher cable capacities possible	2x 100/12 2x 110/11	2x 90/13 2x 100/12 2x 110/11	2x 75/14 2x 90/13 2x 100/12
Weight without cable (kg)	480	480	480
For vehicles from...to... (kW/PS)	51/70 – 88/120	59/80 – 110/150	ab 66/90
Base price Console winch	26.400.–	27.600.–	28.700.–

The control unit for all built-in winches with cable remote control, own hydraulic power supply, direct drive through PTO and trailer coupling, radio control unit available as an accessory.

ACCESSORIES

	S 66-D/6 / S 66-D/8 / S 66-D/10
Complete chain drive	2.200.–
Pulley rocker / Feed pulley	3.900.–
Add-on console vehicle / Mounting costs	Price upon request
S 66-D/6 Skidding blade (HDPL Width 2,0m)	7.200.–
S 66-D/8 and D/10 Skidding blade (HDP Width 2,3m)	8.700.–
Protection for driving on public roads	270.–
Manual load lowering brake, per drum	500.–
Proportional load lowering brake (radio), per drum	540.–
Traction adjustment, per drum	670.–
Cable feed brake, per drum	1.600.–
Quick-change feature including rapid-action hose couplings	Price upon request
Automatic trailer coupling (extra charge)	210.–

All prices given in EURO, exclusive of VAT. Pricing basis Zell a.H.



Quick change



S 66-D
Front mounting



S 66-D
Front hydraulics



S 66-D
Rear mounting



S 66-D
Front mounting

BUILT-IN WINCHES DOUBLE DRUM



S 130-D / S 160-D Winch body



S 130-D / S 160-D Winch body



Optimum tractive force

S 130-D / S 160-D TECHNICAL DATA AND PRICES

TYPE	S 130-D	S 160-D
Max. tractive force (kN/t)	2x 130/13	2x 160/16
Max. cable capacity (Length/Ø, m/mm) Higher cable capacities possible	2x 100/16 2x 120/14	2x 100/16 2x 120/14
Weight without cable (kg)	880	880
For vehicles from...to... (kW/HP)	88/120	88/120
Base price Console winch	32.700.–	34.400.–

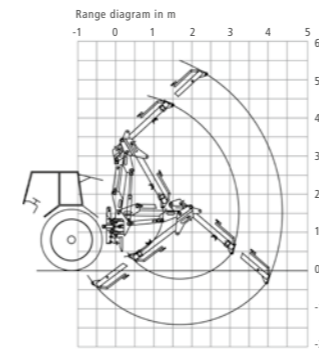
The control unit for all built-in winches with cable remote control, own hydraulic power supply, direct drive through PTO and trailer coupling, radio control unit available as an accessory.

ACCESSORIES	S 130-D / S 160-D
Complete chain drive	2.200.–
Pulley rocker/Feed pulley	3.900.–
Add-on console vehicle/Mounting costs	Price upon request
Skidding blade (HDPS Width 2,3m)	8.700.–
Protection for driving on public roads	270.–
Proportional load lowering brake (radio), per drum	540.–
Traction adjustment, per drum	670.–
Cable feed brake, per drum	1.600.–
Quick-change feature including rapid-action hose couplings	Price upon request
Automatic trailer coupling (extra charge)	210.–

All prices given in EURO, exclusive of VAT. Pricing basis Zell a.H..0

LOGGING CRANE WITH THREE-POINT MOUNTING

FOR PROFESSIONAL APPLICATION | The Ritter DK 4.5 can be combined with various accessory equipment (e.g. gravel shovel, drill etc.). A three-point and a quick-change version are available. The three-point crane can be combined with a RITTER mounted winch. The systems can be steered by a joystick at the existing control unit of the tractor or at a separate control unit.



LIFTING POWER DK 4.5
Values are calculated at p = 200 bar
Values without load suspension device

- 1.0 m extension 2570 kg
- 2.0 m extension 1440 kg
- 3.0 m extension 1100 kg
- 4.0 m extension 780 kg
- 4.5 m extension 700 kg



LOGGING CRANE WITH THREE-POINT MOUNTING DK 4.5 TECHNICAL DATA AND PRICES

Mounting on tractor's rail with skidding blade



DK 4.5 with scoop

Joystick, electrohydraulic



Quick-change variation with skidding blade

DK 4.5 with Quick-change mounting



DK 4.5 with skidding grapple

TYPE	DK 4.5
Three-point attachment	Cat. II /III
Swivel range	160°
Outreach (single telescope)	max. 4500 mm
For vehicles from...to... (kW/HP)	48/65 – 88/120
Way valve (electrically switchable)	4 x 6/2
Shunting couplings, fixed heel	Standard
Continuous rotator	4500 kg
Rotator mounting with single brake	Standard
Grapple RHG 1300, opening max. 1300mm	Standard
Hose set rotator-grapple, completely mounted	Standard
Skidding blade (screw-on)	1500 mm
BUCHER crane control block	Standard
1 potentiometer (Joystick), electrohydraulic	Standard
Total price Logging crane	23.000.-

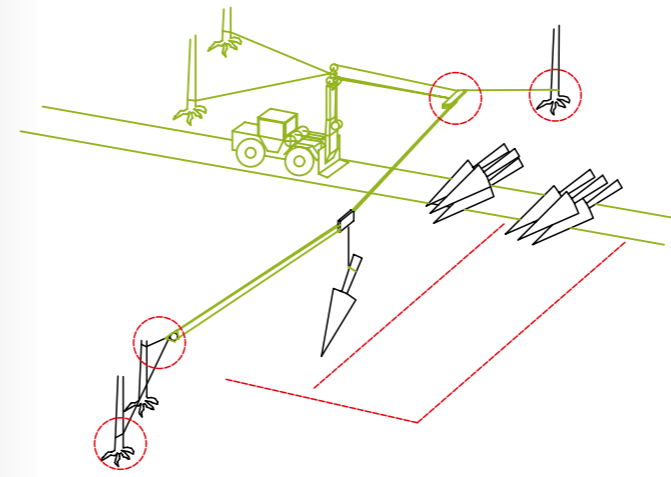
All logging cranes with three-point mounting with cylinder slewing system
Three-point attachment: Cat. II/III. Oil supply = tractor hydraulic system
Required control units at the vehicle = in each case 2

ACCESSORIES	DK 4.5
Own oil supply by plug-on pump (65 l/min with 1000/min, until 170 bar) fuel tank 16 l & filter	1.900.-
Adapter frame for mounted winch (possible for Ritter D 60, D 71 and S 27 E winch)	2.100.-
Quick-change system for 2 working equipments	1.600.-
Soil auger 300 mm, l = 700 mm or planting auger	830.-
Skidding blade 2000 mm, with tree trunk storage left/right	2.000.-

All prices given in EURO, exclusive of VAT.

KSK 3 SHORT-DISTANCE CABLE CRANE

SOIL PROTECTION IN JEDER LAGE | The RITTER short-distance cable crane represents a high-performance system for thinning small to medium-sized trees. A soil protecting extraction of timber is also possible here (swampy and marshy terrain). The process combines the retrieval advantages of cable crane technology with the ergonomic advantages of the combined catenary curve process for thinning stands inaccessible to vehicles. Due to the extremely short set-up and tear-down times a rapid location change is possible at any time. By using a travelling crab in cross-beam version, even convex slopes can be thinned.



BENEFITS

- Soil protecting operation
- Diverse application possibilities
- Economical and ergonomic operation
- Short set-up and changeover time



KSK 3 Saddle-carriage



Cable spooling



Tension-reducing support



folding platform



Guy winch



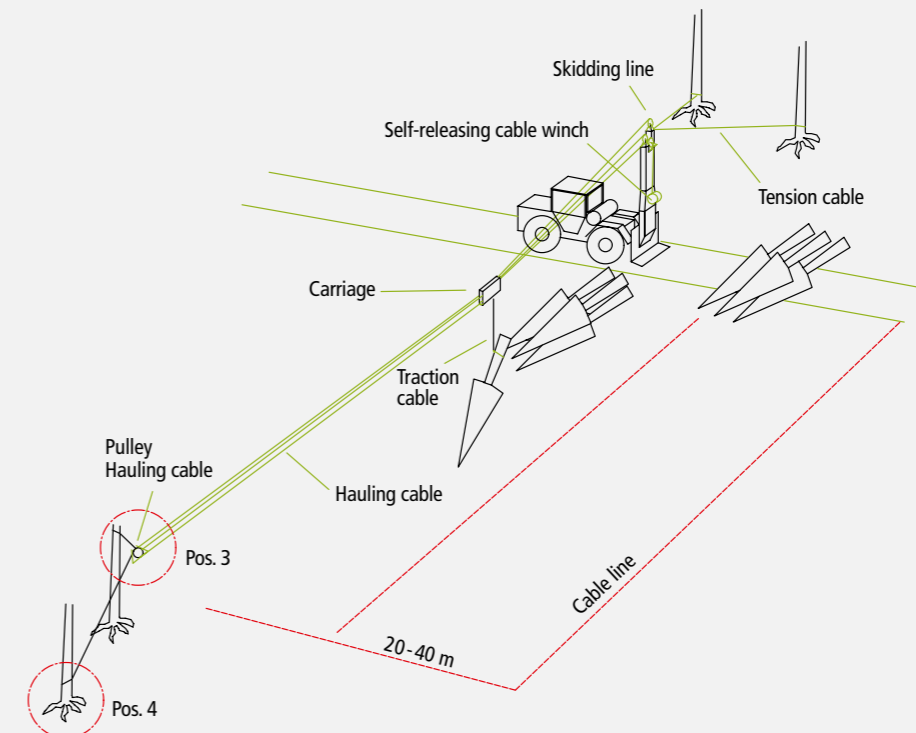
Self-opening sliding hook



KSK 3 Carriage



integrated holder for carriage



KSK 3 SHORT-DISTANCE CABLE CRANE

POWERFUL EVEN IN DIFFICULT TERRAIN | The KSK 3 may be combined with any RITTER double-drum cable winch. The system may thus be used in various ways either as direct-mounted winch or as short-distance cable crane. The hydraulic height adjustment of the tower allows setting up the best section for skidding the logs. Also with the KSK 3, a soil protecting operation on any terrain is possible. Thanks to the patented gliding hook combined with the limit stop cut-off it is possible for only one person to do the job in an economic and ergonomic way even in difficult terrain.

KSK 3 in transport position



KSK 3 Tensioning



KSK 3 Carriage



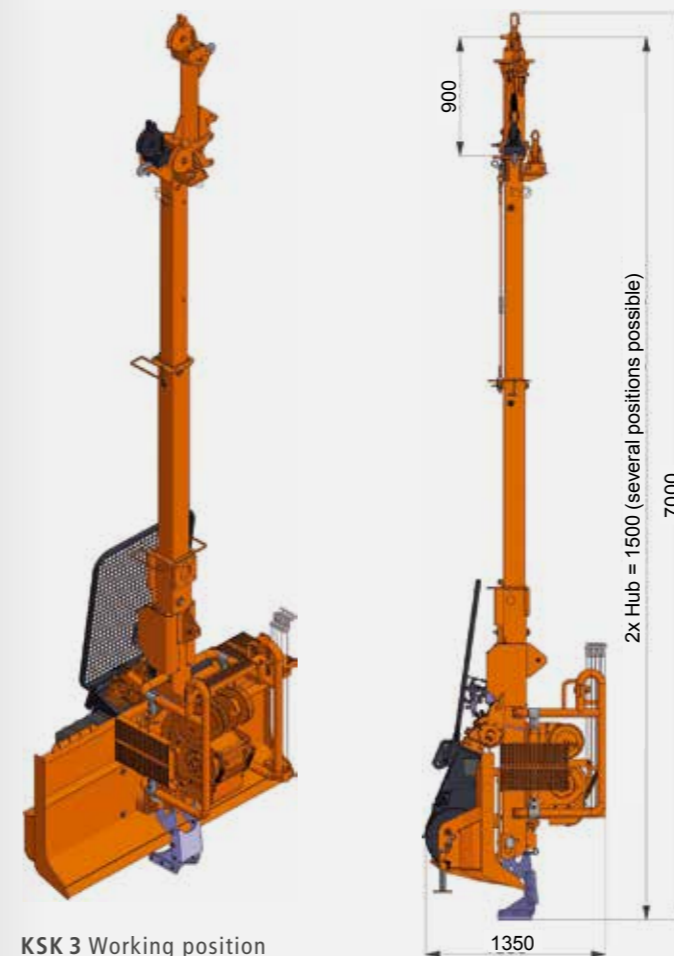
KSK 3 Mounting and dismounting



KSK 3 SHORT-DISTANCE CABLE CRANE TECHNICAL DATA

TYPE	KSK 3 S 66
Line length/ Skidding line length approx.	190m/11mm
Traction cable approx.	210m / 10mm
Towable mass approx.	1.000kg
Hauling cable approx.	400m/6mm
Tower height incl. telescope max.	7.000mm
Transport height	3.300mm
Weight without cable	2.100kg
Required engine power	80PS
Number of tension winches	4
Control	HBC radio
Number of operators	1
Travelling crab	optional
Cable velocity / 1000rpm	*0,2-1,2m/s
Semi-automatic cable opening	standard
Type of mounting on the tractor	3-point linkage

* Engine speed regulation at the vehicle necessary



KSK 3 Working position

KSK 3 Technical Data



KSK 3 Transport position

RITTER SKIDDER – AT A GLANCE

R 170, R 185, R 185 S – 3 INNOVATIVE MODELS



The absolute professional with optimum weight distribution

THE 4-WHEEL MACHINES

- Power reserves through modern 4 and 6-cylinder technology
- Panoramic cab with the best and most ergonomic space in its class
- Soil protecting through optimum weight distribution
- Unique RITTER S66 winch technology with direct drive
- Integrated clamping bank and comprehensive additional options
- Efficient hydraulic management for highest profitability

+++ NEW +++ NEW +++ NEW +++ NEW +++ NEW +++ NEW +++ NEW +++ NEW +++ NEW +++ NEW +++ NEW +++

ADDITIONAL BROCHURE FOR ALL RITTER SKIDDER



R 170, R 185, R 185 S



Clamping bank hydraulically foldable



Soft Step entry (accessory)

R 185S, R 220 – ALL-ROUND TALENTS FOR EVERY OPERATION



The versatile combination artist for each assortment

THE 6-WHEEL MACHINES

- Three performance classes for each operation available
- Each in 2 frame lengths and innovative carrier frame
- Powerful hydraulic management
- Segment stanchion basket, rotating stanchion, clamping bank and many more
- RITTER constant traction technology
- NEW: with Ritter THS Traction auxiliary winch



R 185 S, R 220



Versatile combined machine



Ergonomic panoramic cab

R 220 – POWERFUL, PERFECT SOIL PROTECTION



The ultimate power package in the terrain

THE 8-WHEEL MACHINE

- Upper performance category
- Application for short and long timber (short setup time)
- Boogie lift axle with passive suspension
- Wide tires and use of belts for all soil conditions
- Innovative overall concept
- NEW: with Ritter THS Traction auxiliary winch



R 220



Freely accessible service hatch



Hydraulic boogie-lift

RITTER Maschinen GmbH
Klosterstraße 3
77736 Zell a. H.
Tel.: 0049-(0)7835-6387-0
Fax: 0049-(0)7835-8282
Fax ET: 0049-(0)7835-6387-45
info@ritter-maschinen.com
www.ritter-maschinen.com

RITTER

MASCHINEN



RITTER MASCHINEN GMBH: LOGGING TECHNOLOGY • STAGE TECHNOLOGY • AGRICULTURAL MACHINERY



Schweizerische Eidgenossenschaft
Confédération suisse
Confederazione Svizzera
Confederaziun svizra

Eidgenössisches Departement für
Wirtschaft, Bildung und Forschung WBF
Agroscope

Some products from RITTER Maschinen GmbH have been tested by the following institutes: